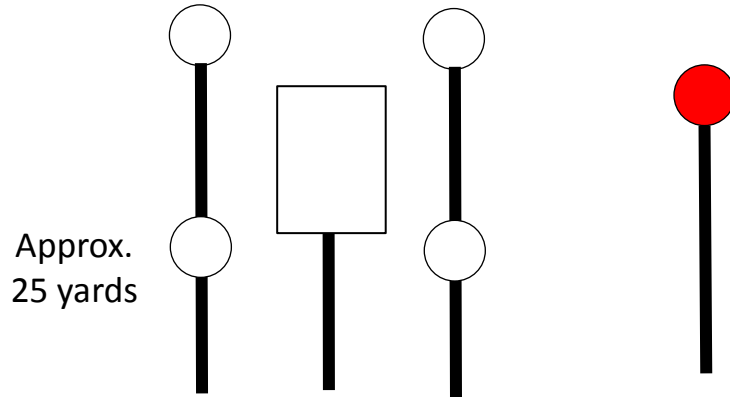
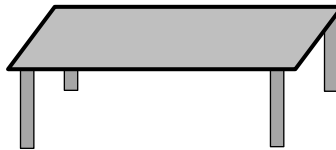


## No Double Taps!

Stage 1 - Rifle  
Designer: Jay Kuca



Approx.  
5 yards



### Procedure:

- Engage four (4) round plates with one round each and rectangular plate with two rounds before engaging stop plate
- The rectangular plate must be engaged with two individually aimed and fired rounds; double taps are NOT allowed
- Rules per NFFS Rimfire Challenge Rule Book
- Range approximately 25 yards