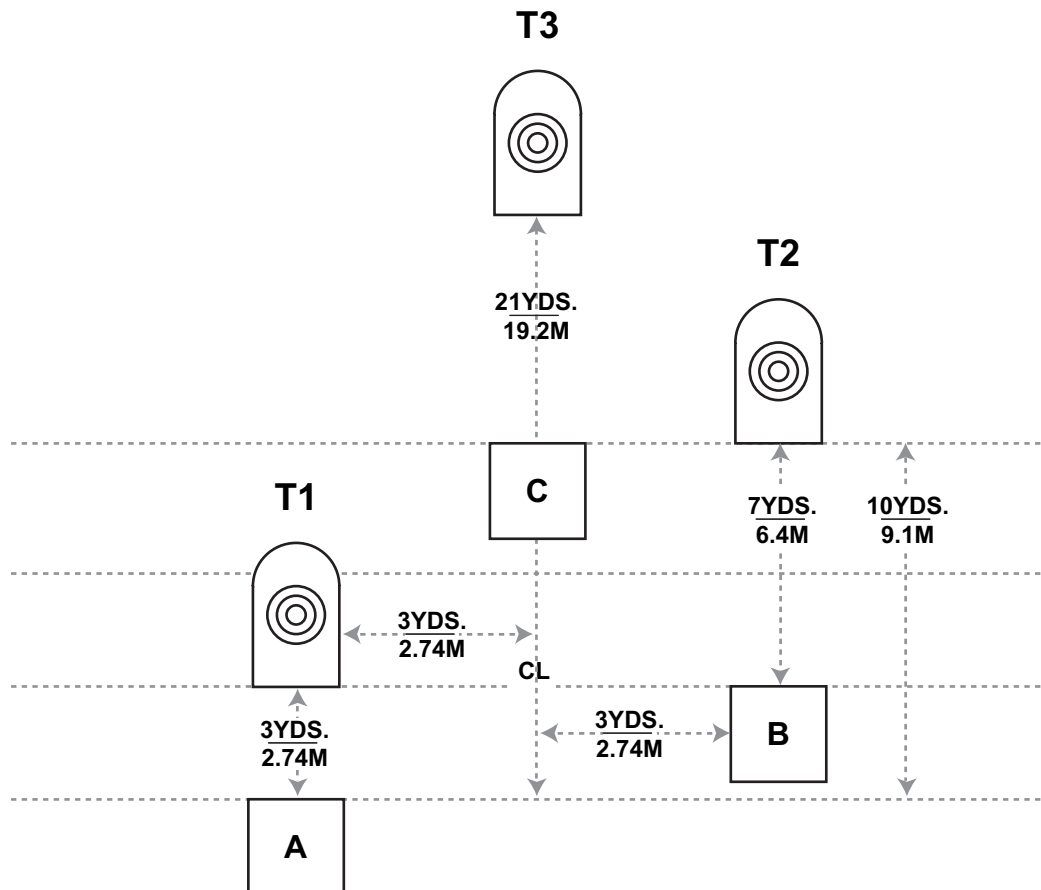




Run Billy, Run Bill, Run William

CS-025
Designed by
Roger Davis



Drawing is Not to Scale!

Start Position: Standing in Box A, facing downrange, hands relaxed at sides.

Procedure:

At start signal, from Box A engage only T1 with only six (6) rounds. From Box B engage only T2 with only six (6) rounds. From Box C engage only T3 with only six (6) rounds. One continuous string.

Scoring: Shots Limited

Targets: 3 NRA D-1 paper

Rounds: 18

Start: Audible

Stop: Last shot

Penalties: Per the ICORE rulebook. Foot faults, extra shots, extra hits, procedural and misses +5 seconds per occurrence.

Stage Setup: Place targets per drawing dimensions. Set targets T1 thru T3 at standard height with top of target 1.65 m (5 feet 6 inch) +/- 5cm (2 inches) from ground. Alignment is shown to centerlines of boxes and targets, unless otherwise noted.

Shooting boxes are approximately 1m x 1m (3 feet x 3 feet).

CS-025

Shots Limited

Run Billy, Run Bill, Run William



Target	A	B	C	M	Hits
T1					6
T2					6
T3					6

R.O. _____

Shooter _____

Total Hits		+		+		+		=	18
------------	--	---	--	---	--	---	--	---	----

Time Factor	x0	x1	x2	x5
-------------	----	----	----	----

	+		+		=
--	---	--	---	--	---

Extra Shots		X5=
-------------	--	-----

Extra Hits		X5=
------------	--	-----

Procedurals		X5=
-------------	--	-----

Notes

	Clock Time
--	------------

	Hit Time Added
--	----------------

	+ Extra Shots
--	---------------

	+ Extra Hits
--	--------------

	+ Procedurals
--	---------------

	Total
--	-------

Name _____

ICORE Number _____

Date _____ Club _____

Classic / Limited / Open (Circle one)