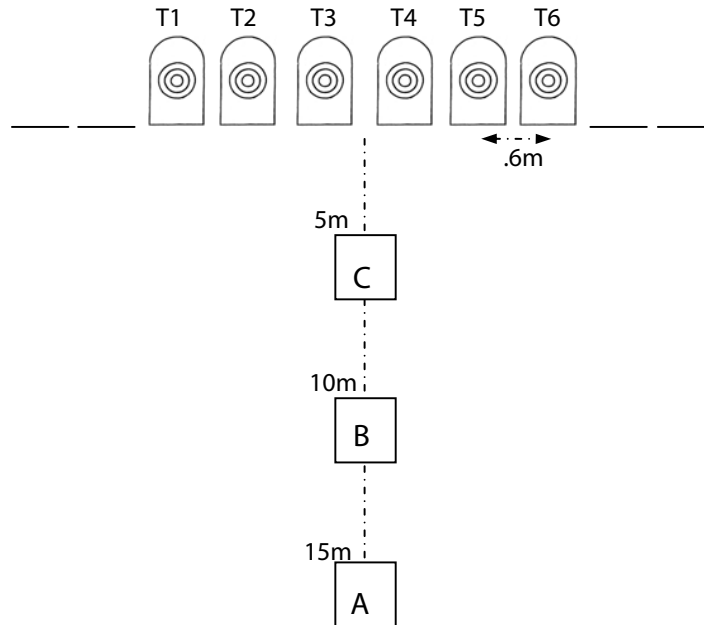




2015 ICORE INTERNATIONAL POSTAL MATCH (15TH) STAGE 4. “3 STRINGS OF X’S.”



Not to scale.

Start Position. Standing in relevant Shoot Box, **LOADED**, hands shoulder high for each string.

Stage Procedure.

String 1 in Box A. On signal to start engage T1-T6 in any order with 3 rounds each **FREESTYLE** .

String 2 in Box B. On signal to start engage T1-T6 in any order with 2 rounds each **STRONG** hand only.

String 3 in Box C. On signal to start engage T1-T6 in any order with 1 round each **WEAK** hand only.

Scoring. Shots Limited. 36 only. **X RING Count, deduct 1sec per X hit.**

Start. Audible. **Stop.** Last shot.

Targets. 6 x NRA D1's. Not black X's.

Penalties. As per ICORE rulebook, procedural, foot faults, extra shots, extra hits and misses are at 5 seconds per occurrence.

Range set up. As above, T1-T6 are set at 5'6" (1.67m) high. Targets are on 600mm centers.

Shoot boxes approx, 1mx1m.